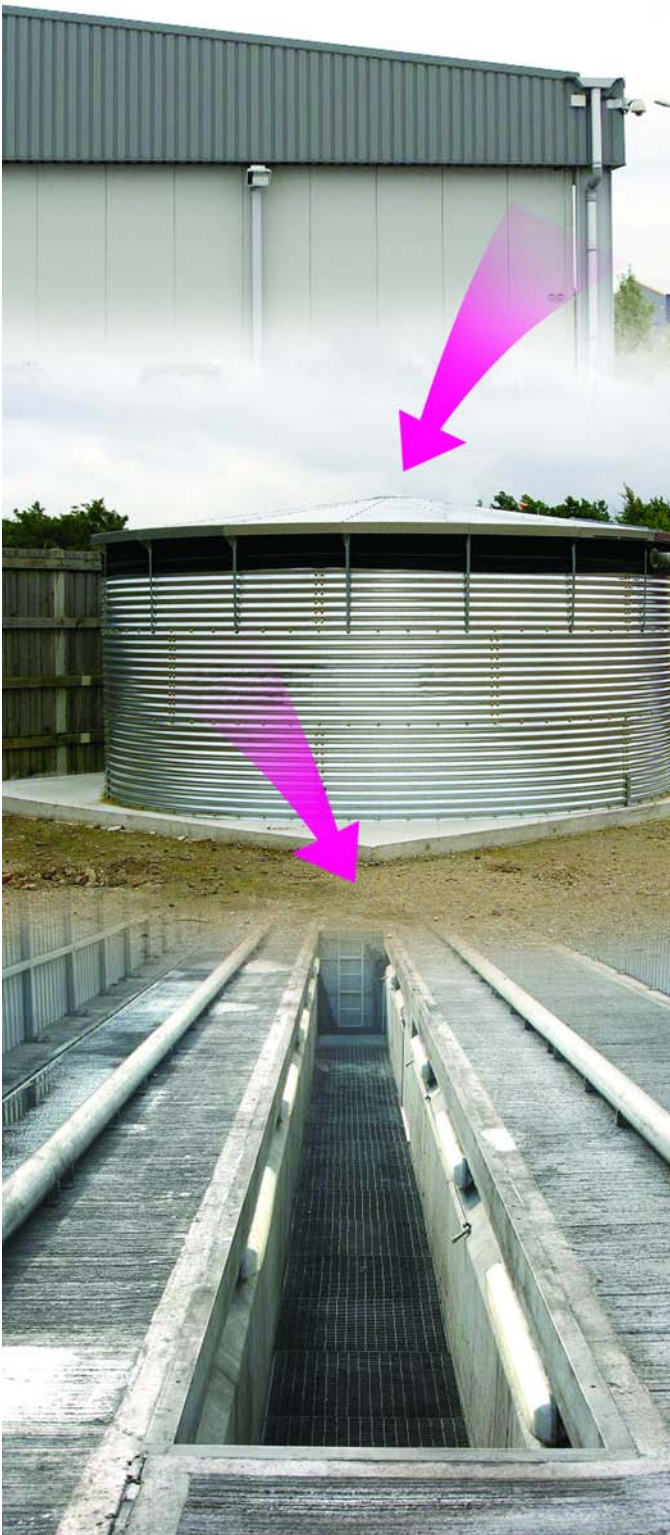


# Rainwater Harvesting for Commercial Buildings

Rainwater harvesting systems have been used by the UK Horticultural Growers since the 1970's. Until recently rainwater harvesting in the UK has been reserved for just a few hundred homes a year and a similar number of commercial buildings, installed by pioneering owners who searched out ecological solutions with limited help and assistance.

Premier Pits have taken this proven format and are offering the solution to HGV and Bus and Coach Operators.



**PremierPits®**

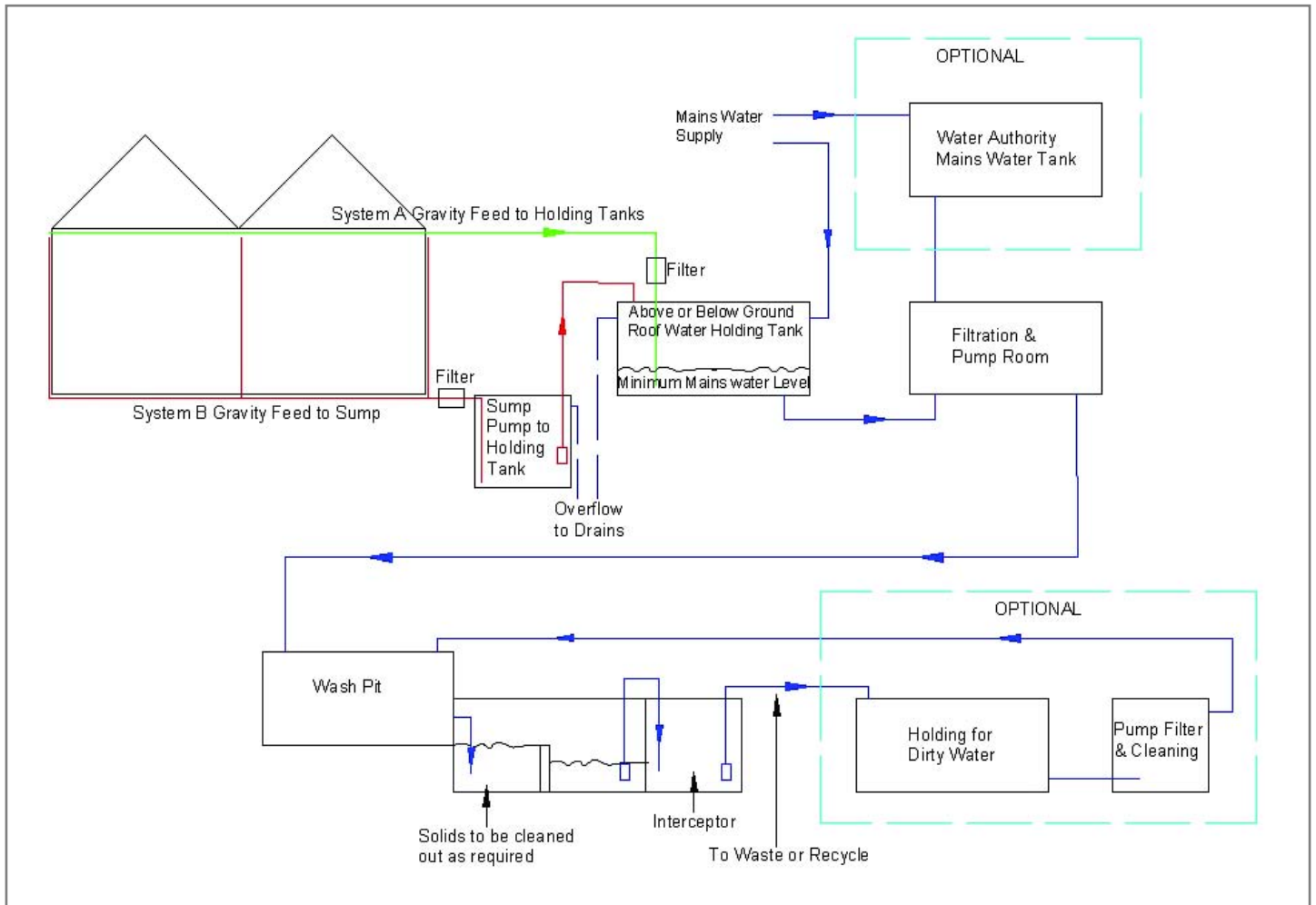
PREFABRICATED VEHICLE PITS

Town Drove, Quadring, Spalding, Lincolnshire PE11 4PU England  
Tel: +44 (0)1775 821222 Fax: +44 (0)1775 820914  
Email: [info@premierpits.com](mailto:info@premierpits.com) Web: [www.premierpits.com](http://www.premierpits.com)

Premier Pits is a division of MBE Fabrications Ltd



# PREMIER PITS RAINWATER HARVESTING



## BENEFITS

- Less environmental impact by reducing waste water
- Savings on water costs of up to 80%
- Qualification for enhanced capital allowance scheme
- Good quality soft water for easier cleaning of vehicles and buildings
- Provides validation and promotion opportunity for 'eco' or 'green' businesses
- Beats hosepipe bans for all year round
- Can assist planning applications in contentious locations or conditions

## THE KEY FEATURES OF THE SCHEME

- All businesses are now able to claim enhanced capital allowances, regardless of size, industrial or commercial sector or location
- Enhanced capital allowances permit the full cost of the investment in specified technologies to be relived for tax purposes against taxable income of the period of the investment
- The qualifying technologies will have to meet defined water saving criteria. They will be published in a list, the criteria will have to be reviewed on an annual basis.
- There are no territorial restrictions on manufacturers wishing to place their products on the list or the source of products
- Only investments in new and unused plant and machinery can qualify